

Fig. 1

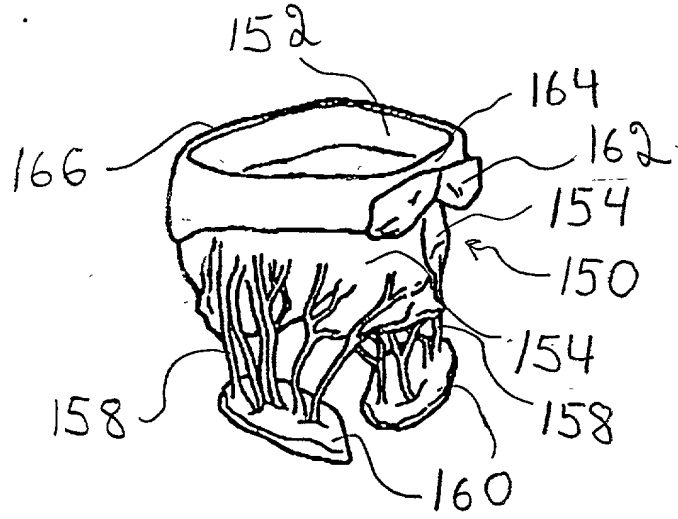


Fig. 2

This document is the property of the United States Patent and Trademark Office. It is to be used only for the purpose of the patent application. It is not to be distributed outside the Patent Office.

Fig. 3

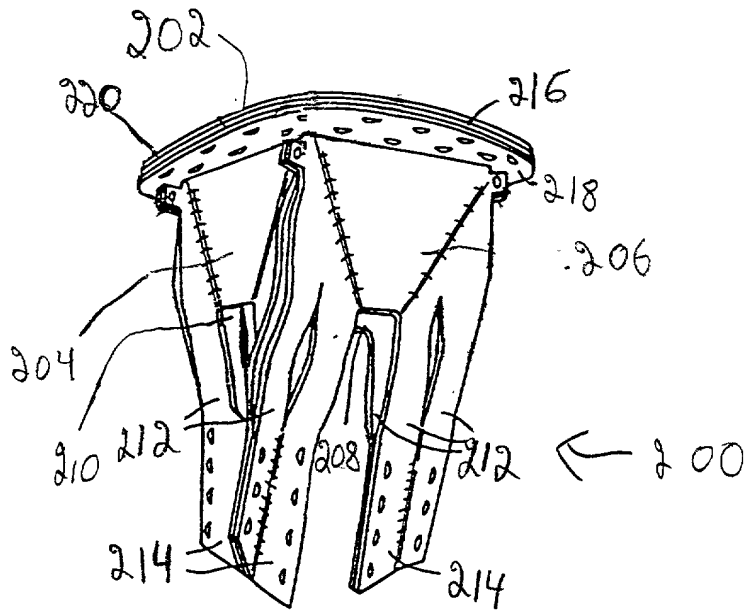
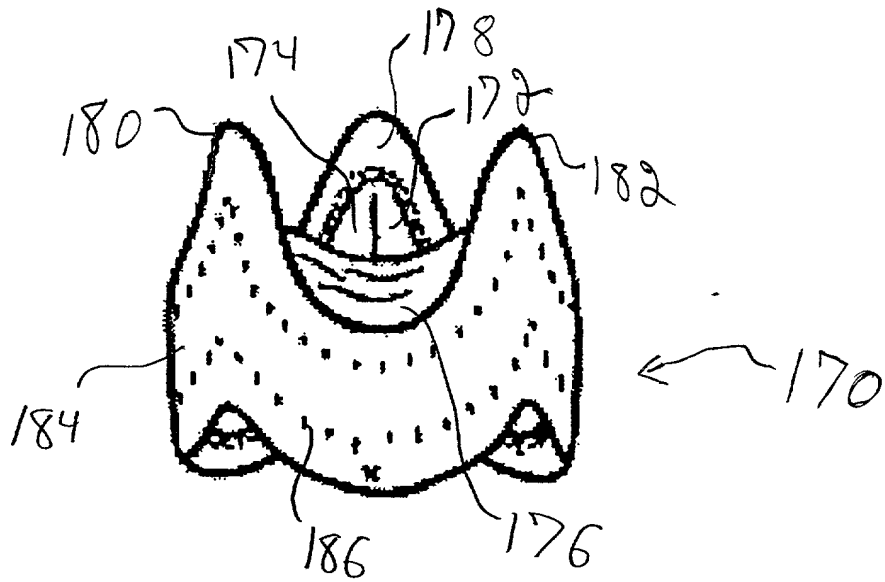


Fig. 4

Hand-drawn diagram of a garment with two pointed sections, labeled with reference numerals 200, 202, 216, 218, 206, 204, 210, 212, 208, 214, and 200.

It is known that the present invention is a method of measuring the amount of light that is reflected from a surface. The method involves measuring the amount of light that is reflected from a surface at a particular angle. The amount of light that is reflected from a surface at a particular angle is a function of the surface's reflectance and the angle of incidence. The present invention is a method of measuring the amount of light that is reflected from a surface at a particular angle. The method involves measuring the amount of light that is reflected from a surface at a particular angle. The amount of light that is reflected from a surface at a particular angle is a function of the surface's reflectance and the angle of incidence. The present invention is a method of measuring the amount of light that is reflected from a surface at a particular angle. The method involves measuring the amount of light that is reflected from a surface at a particular angle. The amount of light that is reflected from a surface at a particular angle is a function of the surface's reflectance and the angle of incidence.

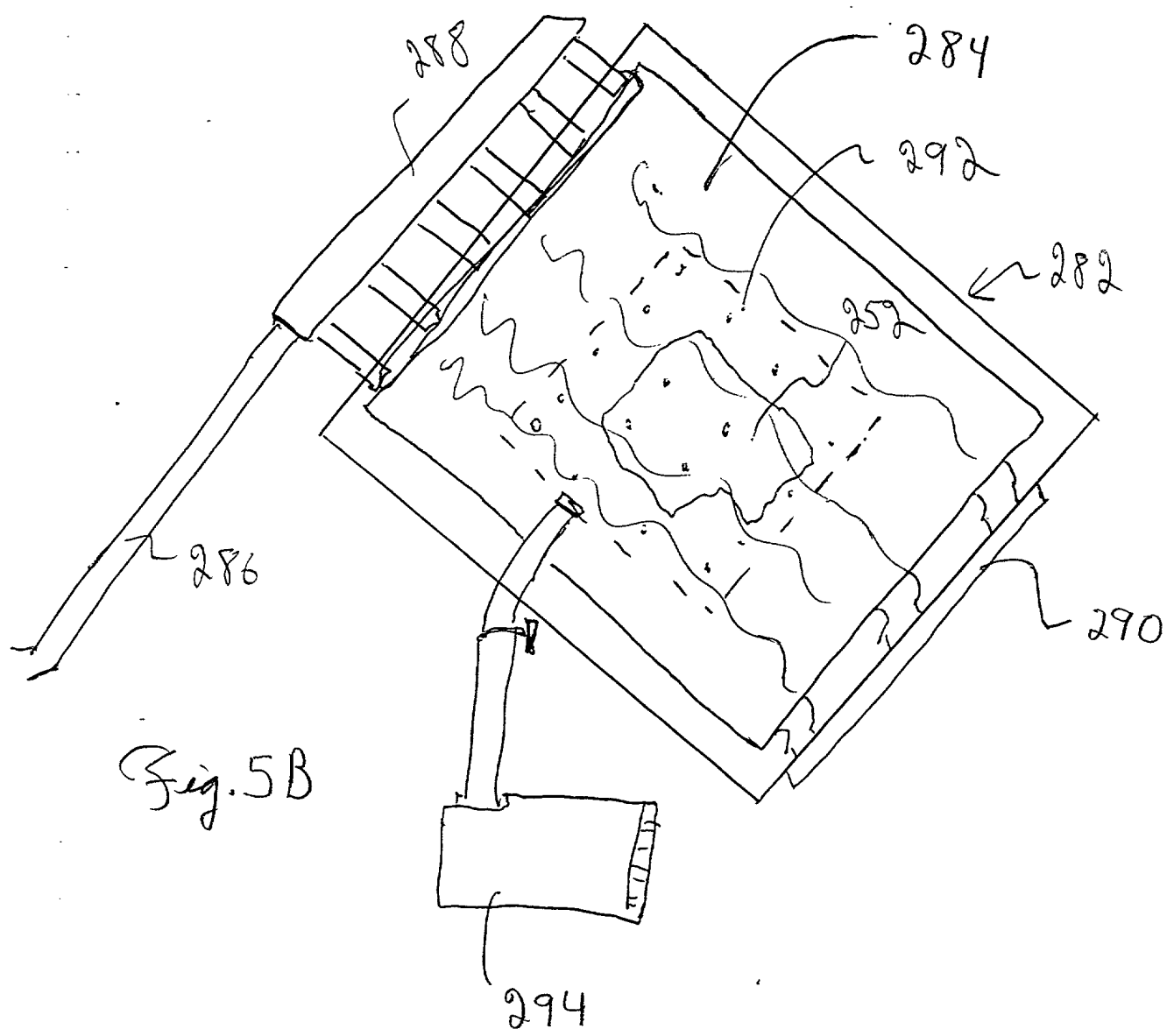


Fig. 8

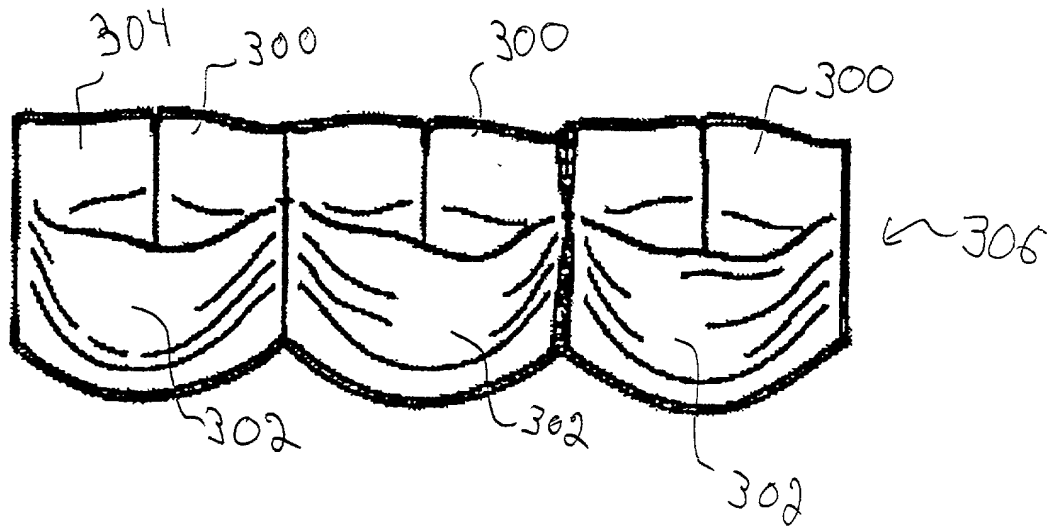


Fig. 9

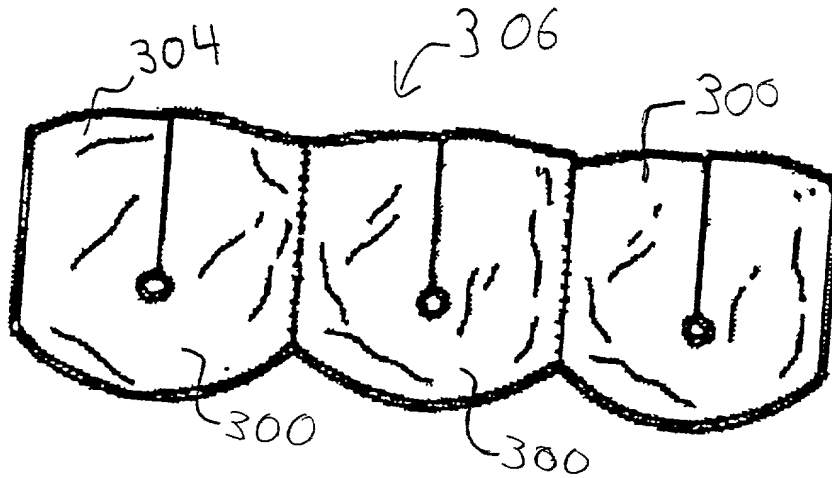
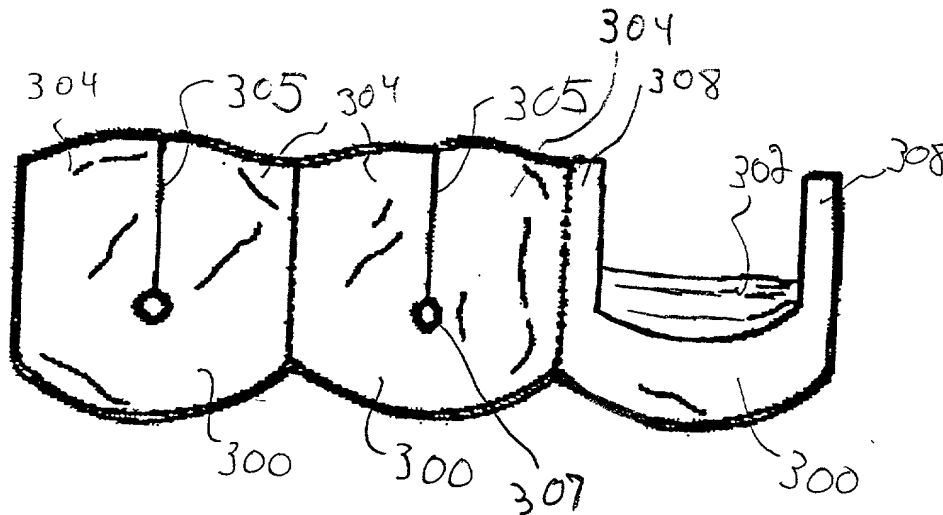
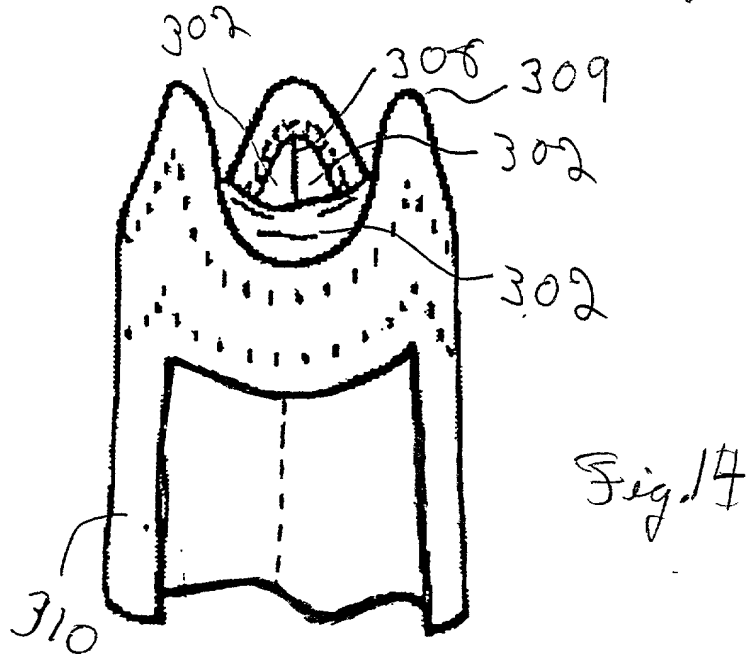
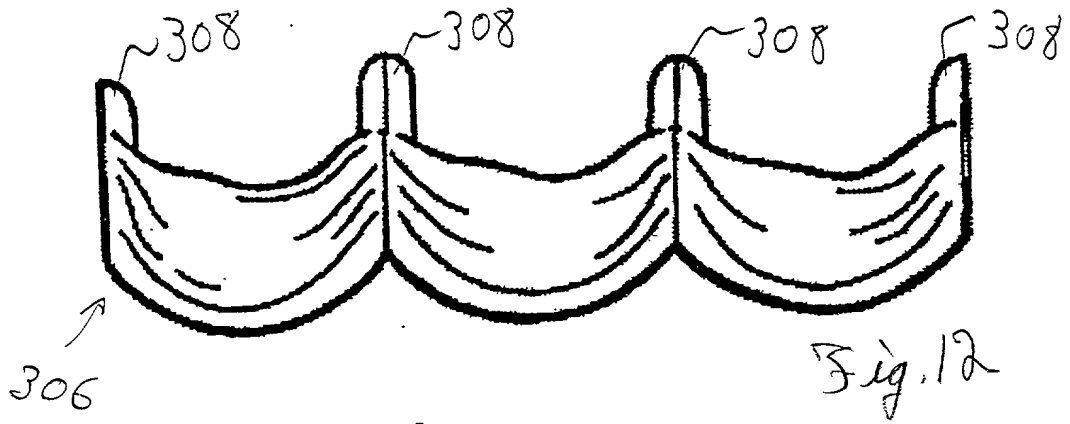
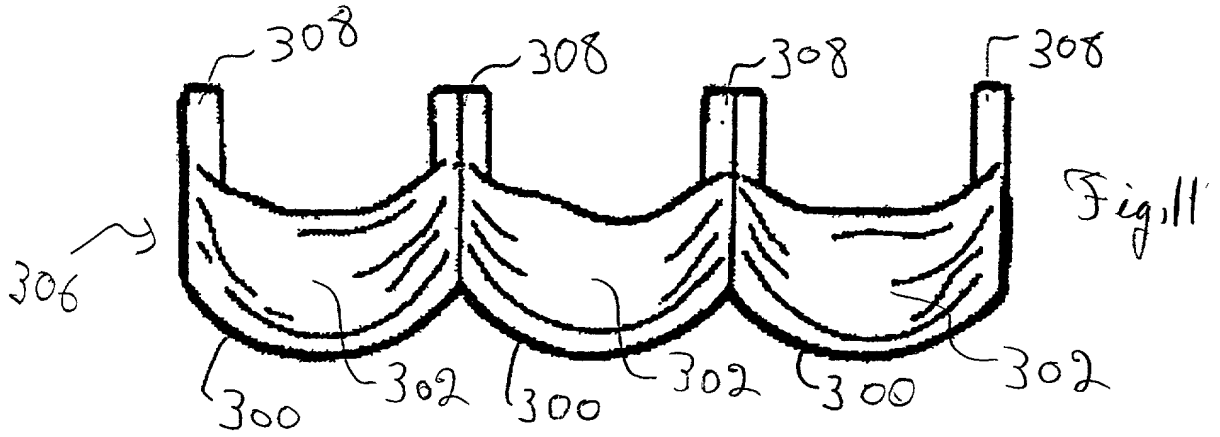


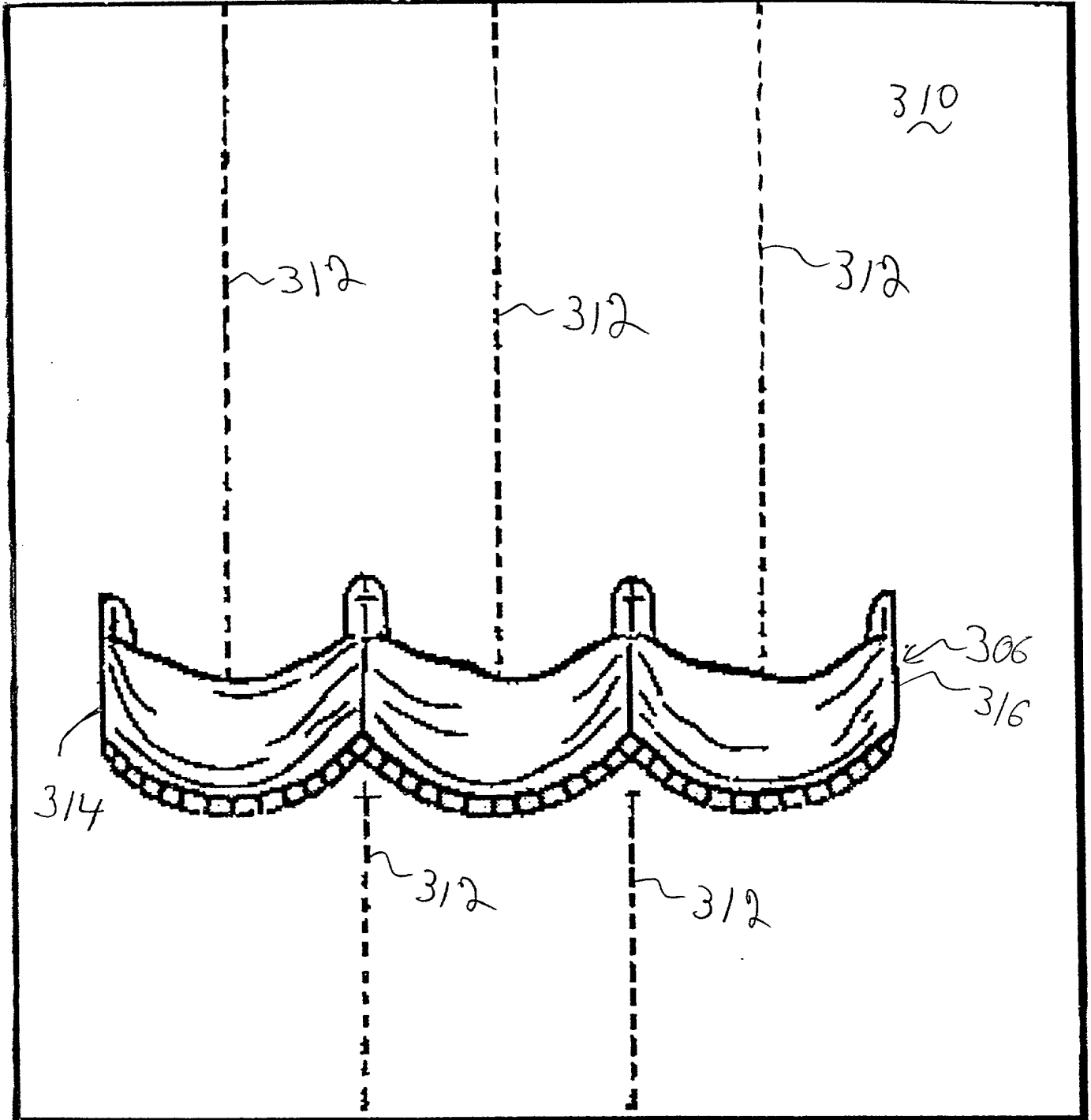
Fig. 10





This document is the property of the United States Patent and Trademark Office. It is to be used for the purpose of the patent application only and is not to be distributed outside the Office.

Fig. 13



U.S. Pat. & Trademark Office
Washington, D.C. 20540

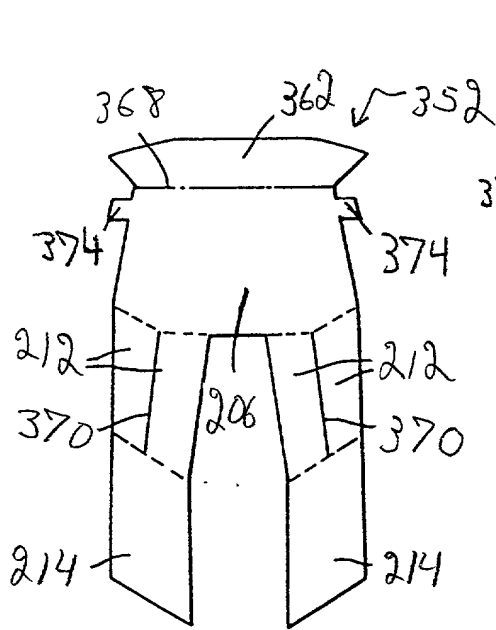


Fig. 16

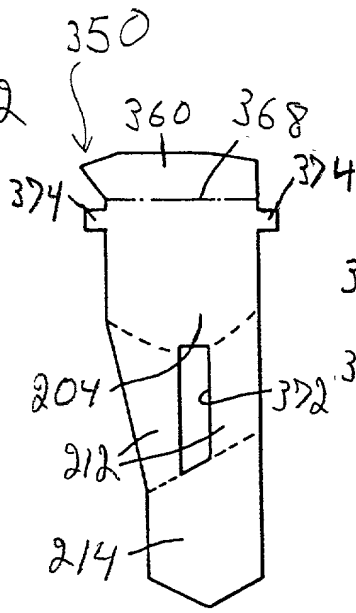


Fig. 15

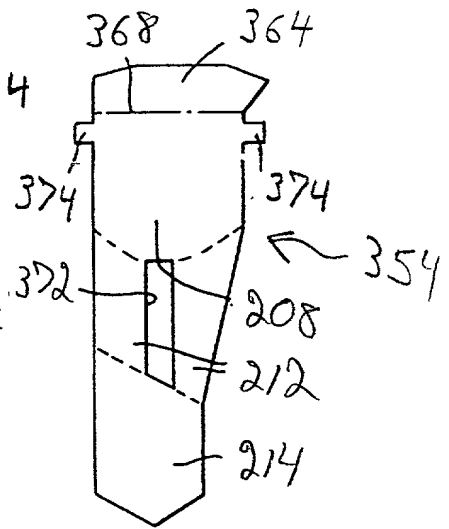


Fig. 17

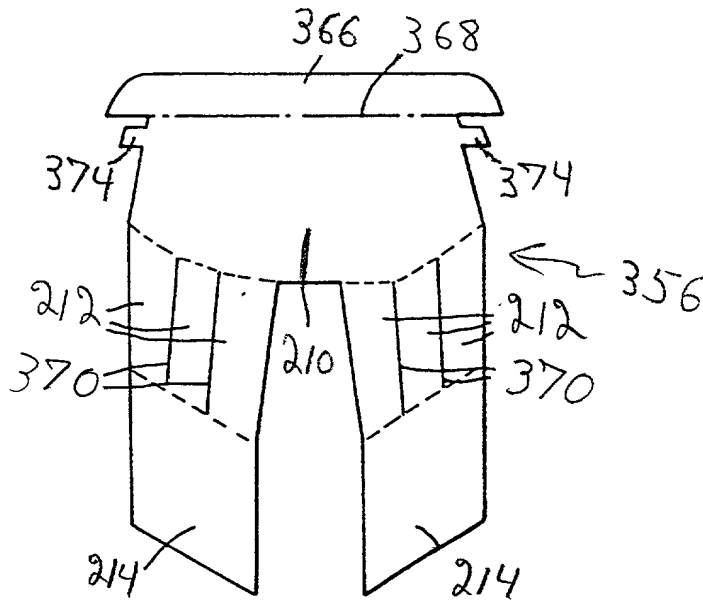
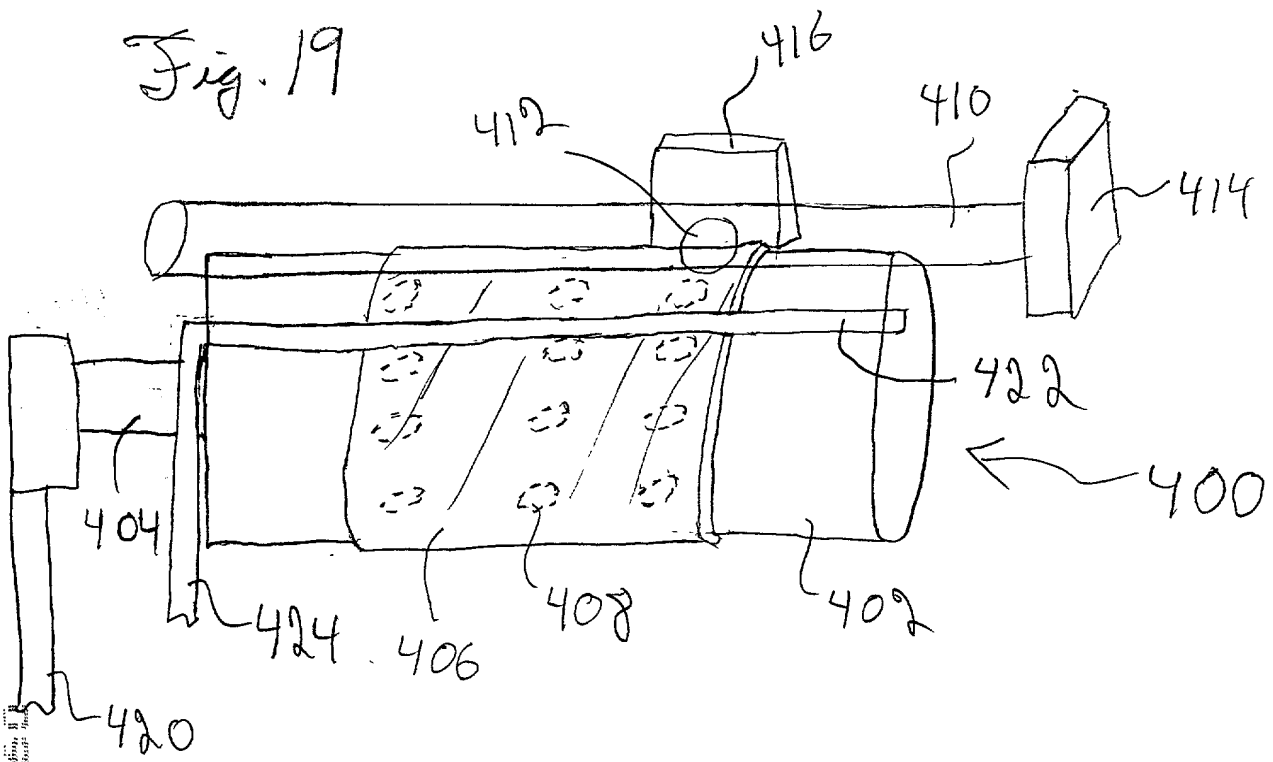


Fig. 18

This document is the property of the United States Patent and Trademark Office. It is loaned to you for your use only and is not to be distributed outside your organization.

Fig. 19



U.S. Pat. No. 3,111,111, issued March 11, 1964, to the inventor, James H. ...